



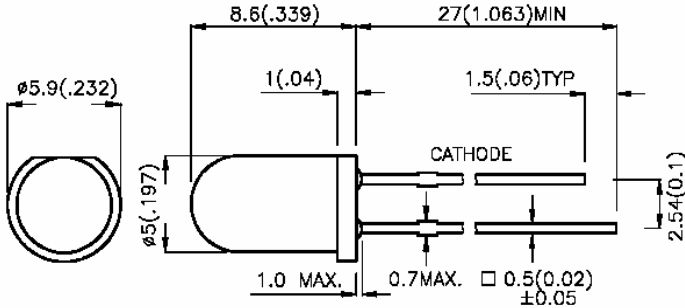
Unit 1&2, 24 Vore St, Silverwater, NSW 2128
 NSW: Tel: 02 9748 0655 Fax: 02 9748 0258
 VIC: Tel: 03 9886 7800 Fax: 03 9886 7799
 QLD: Tel: 07 3879 2133 Fax: 07 3879 2188

Email: sales@tenrod.com.au
 www.tenrod.com.au

MEGA LEDs

SPEC. TKP34L51GC1

Bluish Green 8200 mCd
 Ø 5mm Round



Notes:

1. All dimensions are in millimeters (inches).
2. Tolerance ± 0.25 (0.01") unless otherwise noted.
3. Lead spacing is measured where the lead emerge package.
4. Specifications are subject to change without notice.

Absolute Maximum Ratings $T_A=25^\circ\text{C}$

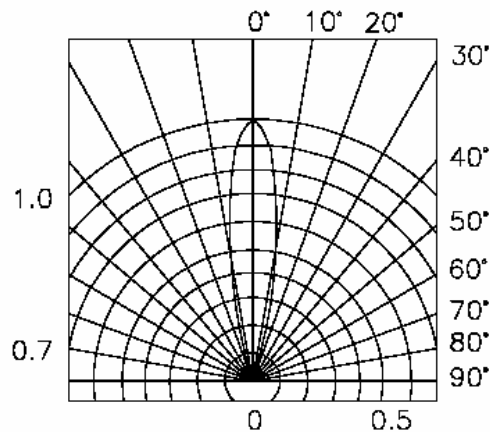
Power Dissipation	Forward Current(DC)	Peak Forward Current[1]	Reverse Voltage	Operating / Storage Temperature	Lead Soldering Temperature
P_D (mW)	I_F (mA)	I_F (mA)	(V)		
108	30	100	5	-40°C To +85°C	260 °C for 5 Seconds.

Notes:

1. 1/10 Duty Cycle, 0.1ms Pulse Width.
2. 2mm below package base.

Electrical / Optical Characteristics at $T_A=25^\circ\text{C}$

Viewing Angle	Dominant Wavelength	I_v (mcd) @ 20mA		DC Forward Voltage (V)	
		Min	Typ	Typ	Max
$2\theta_{1/2}$	(nm)				
20°	505	4700	8200	3.7	4.3



SPATIAL DISTRIBUTION

Data Sheet: TKP34L51 GC1

Date: 2 February 2006

NOTE: Specifications are subject to change without further notice

Contact Tenrod for detailed specifications