



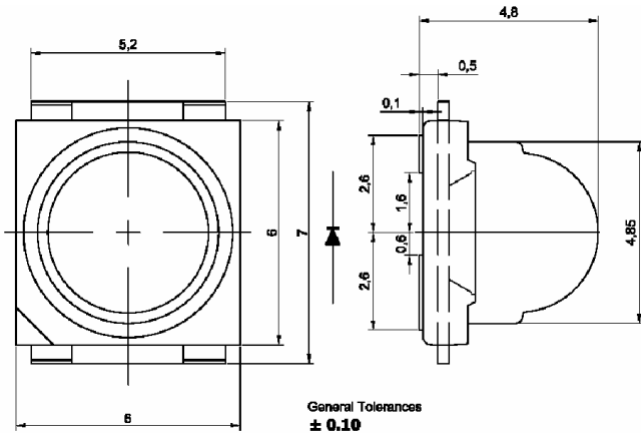
Unit 1&2, 24 Vore St, Silverwater, NSW 2128
 NSW: Tel: 02 9748 0655 Fax: 02 9748 0258
 VIC: Tel: 03 9886 7800 Fax: 03 9886 7799
 QLD: Tel: 07 3879 2133 Fax: 07 3879 2188

Email: sales@tenrod.com.au
www.tenrod.com.au

MEGA LEDs

SPEC. **TWC108LY040400A**

YELLOW SMD
40° 400mA AlInGaP



Notes:

1. Dimensions in mm
2. Compatible toIR reflow soldering.
3. Pb free, ROHS Compliant
4. Class1M LED products. Do not view directly with optical instrument.

Optical Characteristics at Ta=25°C, If=400mA

Colour	Wavelength Distribution (nm)	λ dom (nm)	IV @ If=400mA		Flux @ If=400mA	Viewing Angle
			Min. (cd)	Max. (cd)	Typ.(lm)	
Yellow	585 - 597	589	35.5	56.0	35	40

Luminous intensity is measured with an accuracy of $\pm 11\%$

Electrical Characteristics at Ta=25°C

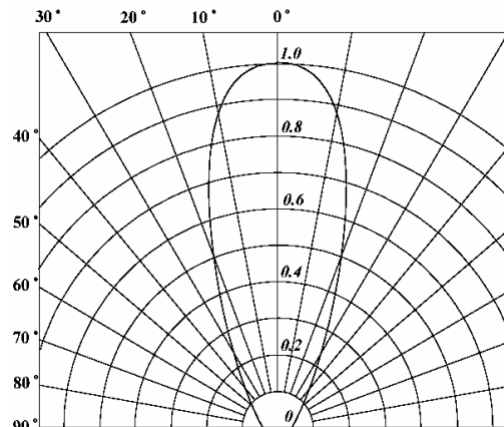
Vf @ If=400mA			Vr @ Ir=100uA
Min.(V)	Typ. (V)	Max. (V)	Min. (V)
2.2	2.5	2.8	12

Forward voltage, Vf is measured with an accuracy of $\pm 0.1V$

Absolute Maximum Ratings

	Maximum Value	Unit
DC forward current.	400	mA
Peak pulse current; (tp ≤ 10 μsec, D = 0.1)	500	mA
Reverse voltage.	12	V
ESD Threshold (HBM)	2	kV
LED junction temperature.	125	°C
Operating temperature.	-40 ... +100	°C
Storage temperature.	-40 ... +100	°C
Power dissipation	1200	mW

Radiation pattern.



Data Sheet: TWC108LY040400A

Date: 2 February 2006

NOTE: Specifications are subject to change without further notice

Contact Tenrod for detailed specifications