



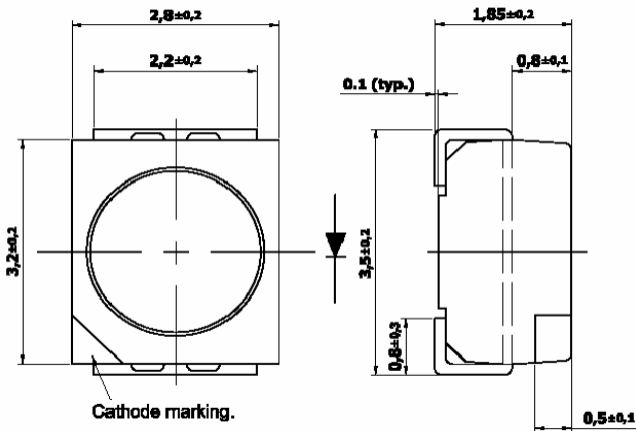
Unit 1&2, 24 Vore St, Silverwater, NSW 2128
 NSW: Tel: 02 9748 0655 Fax: 02 9748 0258
 VIC: Tel: 03 9886 7800 Fax: 03 9886 7799
 QLD: Tel: 07 3879 2133 Fax: 07 3879 2188

Email: sales@tenrod.com.au
www.tenrod.com.au

MEGA LEDs

SPEC. **TWC116LY120020A**

YELLOW SMD
120° 20mA AlInGaP



Notes:

1. Dimensions in mm
2. Compatible to both IR reflow soldering and TTW soldering
3. Pb free, ROHS Compliant

Optical Characteristics at Ta=25°C

Colour	Wavelength Distribution (nm)	λ dom (nm)	Luminous Intensity @ If = 20mA Iv (mcd)		Viewing Angle
			Min.	Max.	
Yellow	582 - 594	587	355.0	715.0	120

Luminous intensity is measured with an accuracy of ± 11%

Electrical Characteristics at Ta=25°C

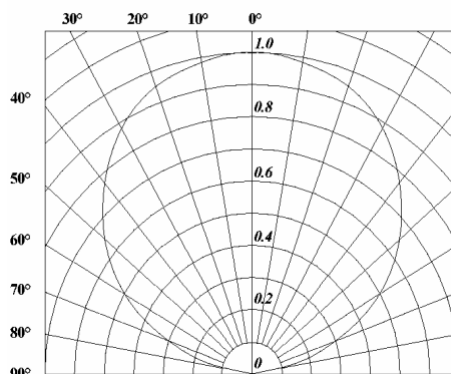
Vf @ If=20mA			Vr @ Ir=10uA
Min.(V)	Typ. (V)	Max. (V)	Min. (V)
1.8	2.0	2.6	12

Forward voltage, Vf is measured with an accuracy of ±0.1V

Absolute Maximum Ratings

	Maximum Value	Unit
DC forward current.	30	mA
Peak pulse current; (tp ≤ 10 μs, Duty cycle = 0.005)	1000	mA
Reverse voltage.	12	V
ESD Threshold (HBM)	2	kV
LED junction temperature.	125	°C
Operating temperature.	-40 ... +100	°C
Storage temperature.	-40 ... +100	°C
Power dissipation (at room temperature)	78	mW

Radiation Pattern



Data Sheet: TWC116LY120020A

Date: 2 February 2006

NOTE: Specifications are subject to change without further notice

Contact Tenrod for detailed specifications